

**M12 fem. recept. D-cod. RM / RJ45 male 0°**

PUR 2x2xAWG22 shielded gn UL/CSA+dragchain 2m

Ethernet CAT5

Plastic housings with good resistance against chemicals and oils.

Flange female straight – male straight

M12 – RJ45, 4-pole

D-coded

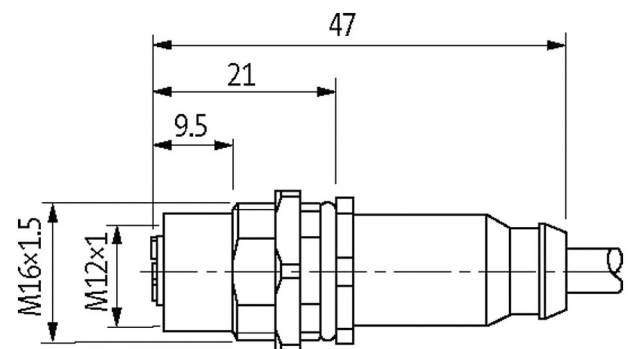
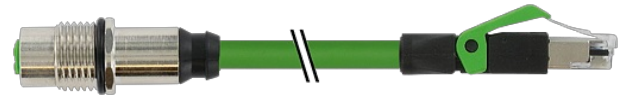
shielded

8-pole partly used

Rear mounting

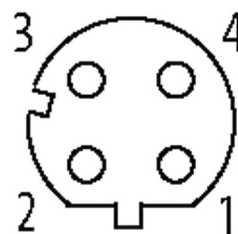
Transmission properties with channel transmission up to 100 m

Further cable lengths on request.

[Link to Product](#)**Illustration**

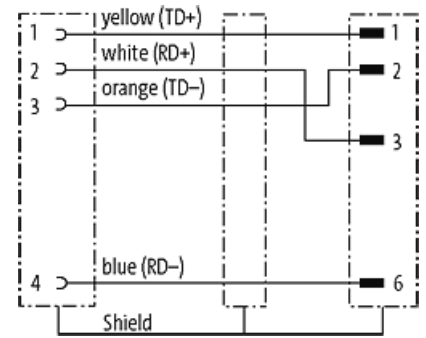
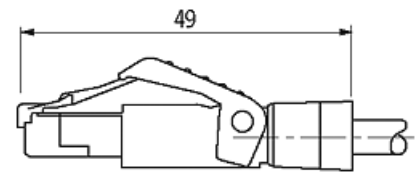
Female

Male



Product may differ from Image

**Sketch**



Product may differ from Image